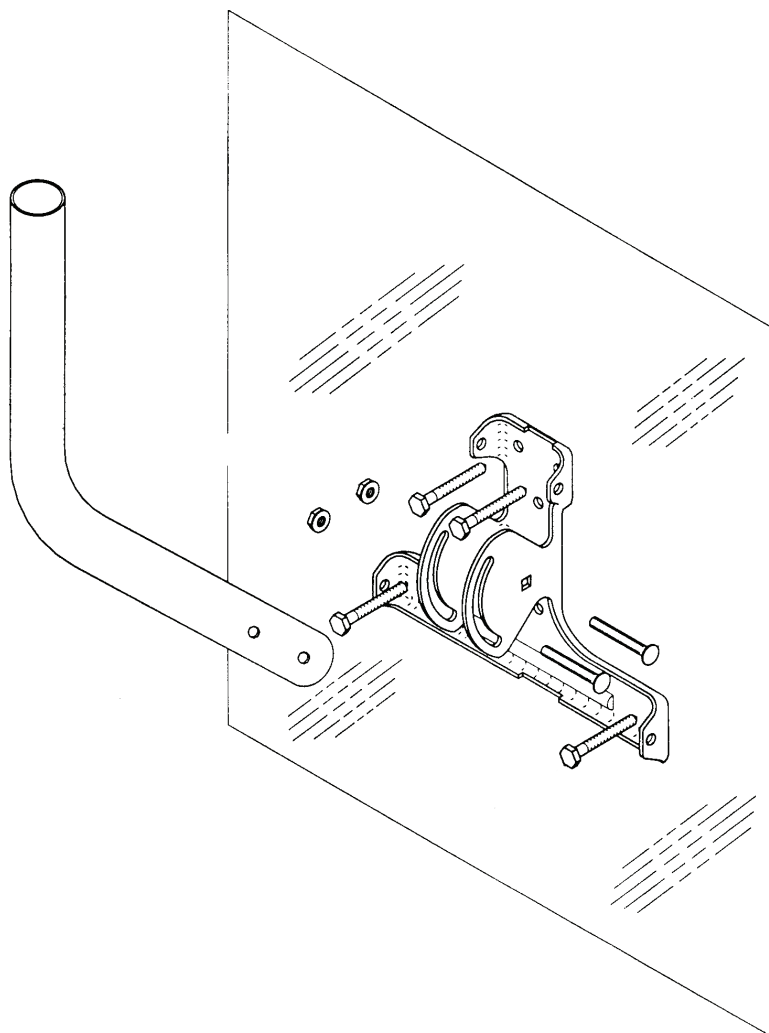


1LG

The Universal One-Legged Mount may be the one and only mount that can be installed on any part of any building. This mount is designed for virtually all types of antennas – home, TV, MMDS, DBS and more. The mount has a 1-1/4" mounting pipe and includes lag screws for installation. The mount is galvanized for corrosion protection and goes together quickly. The mount is easily shipped via UPS.



1LG Contains the Following:

FH85	Formed Bracket (1)
FH86	1-1/4" O.D. Tube (1)
S180C91	1/4" x 1-3/4" Carriage Bolt (2)
220369	1/4" Flange Nut (2)
220352	1/4" x 2" Lag Screw (4)

Notes:

1. One legged mount can be installed on a flat or pitched roof, wood or masonry wall or eave (gable end).
2. All antenna installations should be grounded by the installer to meet all applicable codes.
3. To insure safety, no installation roof or wall, should be attempted without a local professional structural analysis.
4. Inspect mount and antenna installation every 6 months (or after every storm) for tightness.
5. It is the installer's responsibility to verify that their installation is adequate to withstand all loads imposed by this mount and antenna.
6. Local zoning and/or building codes and insurance companies may require architect or structural engineer approval prior to installation.
7. Mounting tube is 1-1/4" O.D.
8. Antenna not to exceed 2 square feet of effective projected area.